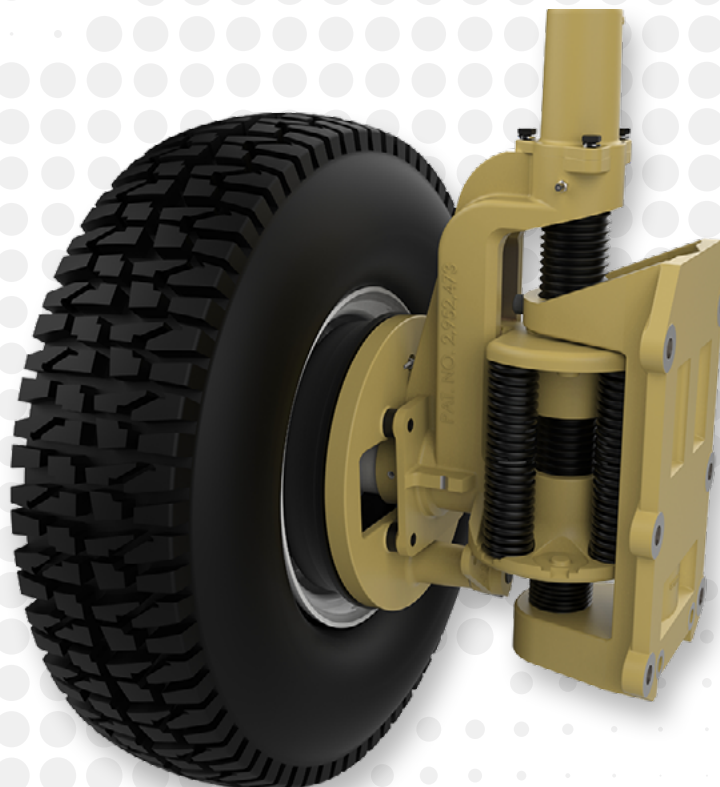




The Ultimate Solution For

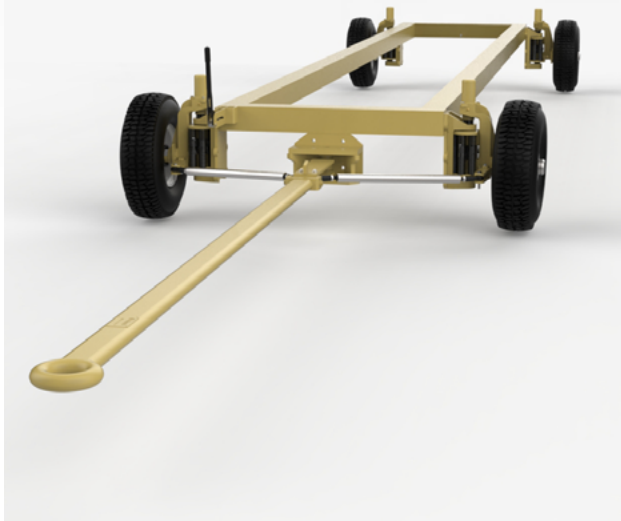
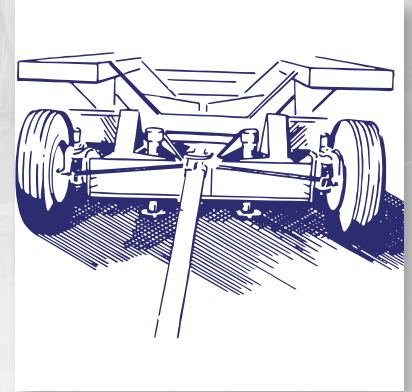
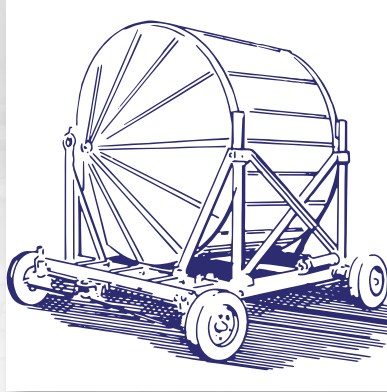
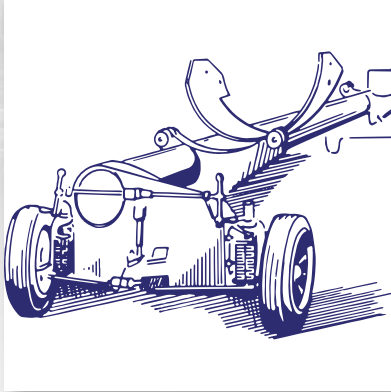
LOW CENTER OF GRAVITY TRAILERS



Introducing

S.A.M. RUNNING GEAR

Side-Mount, Shock-Absorbing Unit
Rated At 5,000 lbs. Per Wheel



The AEROL SAM Suspension Unit is a heavy-duty running gear concept comprising a shock absorbing unit that can be bolted to the side of an item of ground support equipment, and a stub axle on which any one of a wide selection of wheels can be mounted. The basic unit is used for both front and rear installations and can be made rigid or steerable by the addition of a lock pin or a steering arm. This flexible design permits front and rear steering for maneuvering in restricted areas, or conventional front end steering when the equipment is towed.

- Compatible with AEROL Cushion Tread Wheels and Industrial Pneumatic wheels
- Available with parking brakes with ratchet pedals, levers for cable or rod actuation, and hydraulic service brake systems
- Ackerman steering principle – tie rods control the steerable front wheels from the tongue and tow bar assembly
- Components exceed requirements of specification MIL-M-8090 for type II mobility

The SAM Suspension Unit can be supplied to handle a wide range of loads up 5,000 pounds per wheel. The load rating can be easily changed in the field by the addition or removal of standard springs. No special tools are required, nor is it necessary to dismount the unit.

